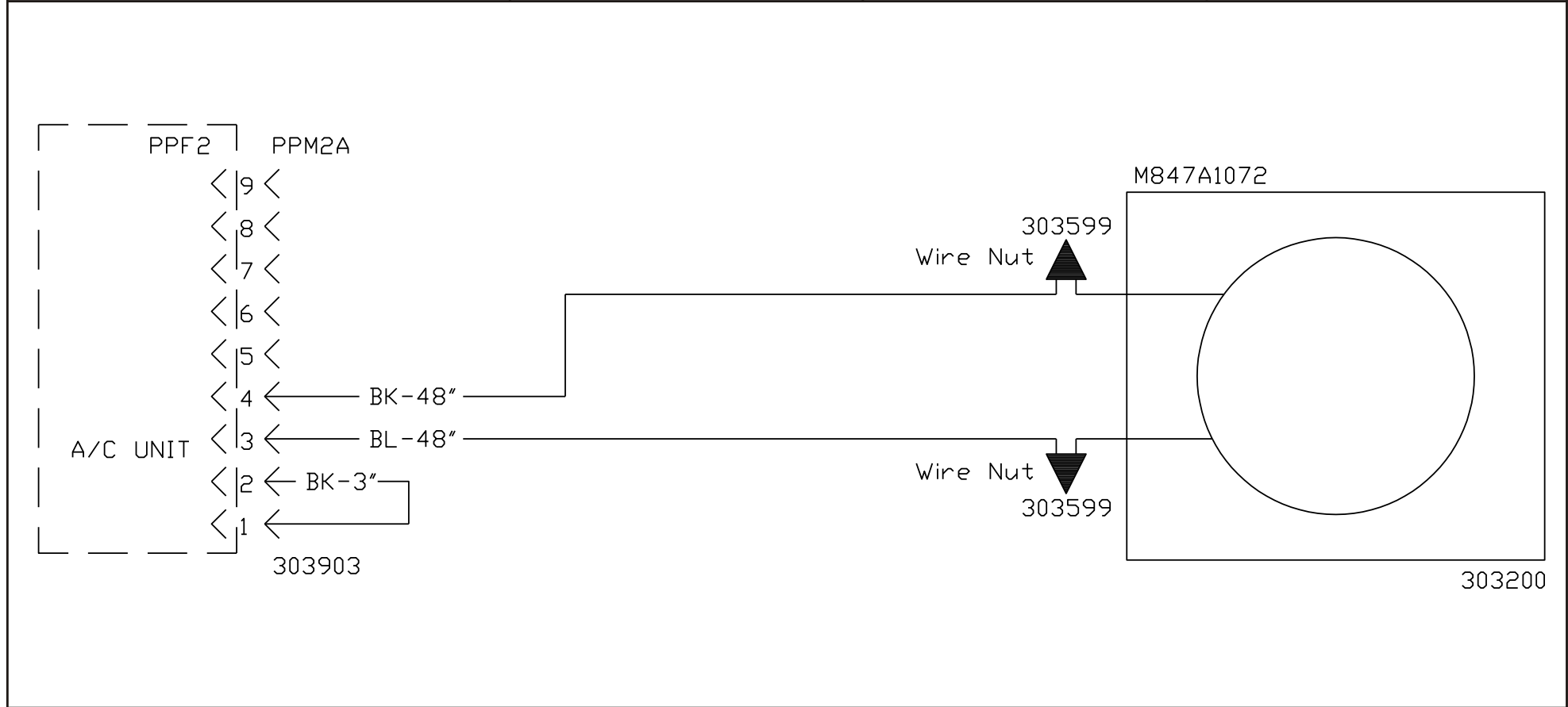


MATERIALS LIST		
QTY.	RSI PART#	DESCRIPTION
51"	303004	Wire 18 Ga. Black
48"	303006	Wire 18 Ga. Blue
1	303200	#2/HW Motor
2	303599	Pigtails
3	303620	Wire Ties 3 3/4" L
1	303903	AMP 9 Cir Plug Conn Male
4	303912	AMP Pin Male

E# = WIRE END DESIGNATION	COMPONENT CODE	WIRE COLOR CODE	Revision	Change	Date
			A	Added Jumper & Wire	11-02-06
E2 STUD #6 18 Ga. Wire	Economizer M847A1072 Damper Actuator 24v	BK Black			
E3 Female 1/4 Quick Disc.		BL Blue			
E4 Male 1/4 Quick Disc. Insul					
E6 Wire Nut Size 73B					



Notes: 1. Unit wiring shown as reference only. Check unit wiring for actual unit wiring.	0-35% Outside Air Damper for Trane YHC/THC/ 036-072 TSC/WSC 036-090 YSC 036-092 WHC 036-060	
	Rooftop Systems, Inc. 2405 McIver Lane Carrollton, Texas 75006 Phone (972) 247-7447 Fax (972) 243-0940	Date: November 2, 2006 Supercedes: 01-27-06 Drawn by: Unit # 70-287-24/25/26 Diagram# 7028724W